

Duet Arm

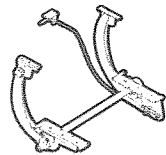
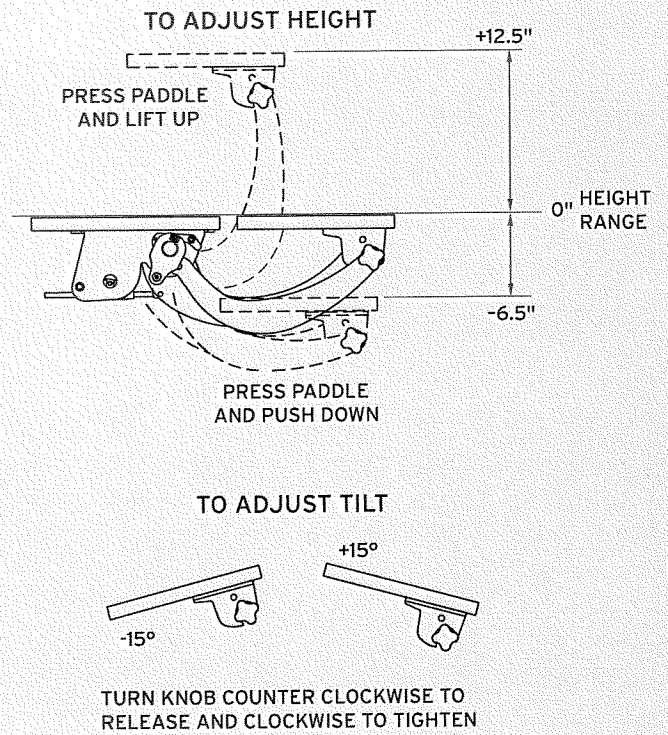
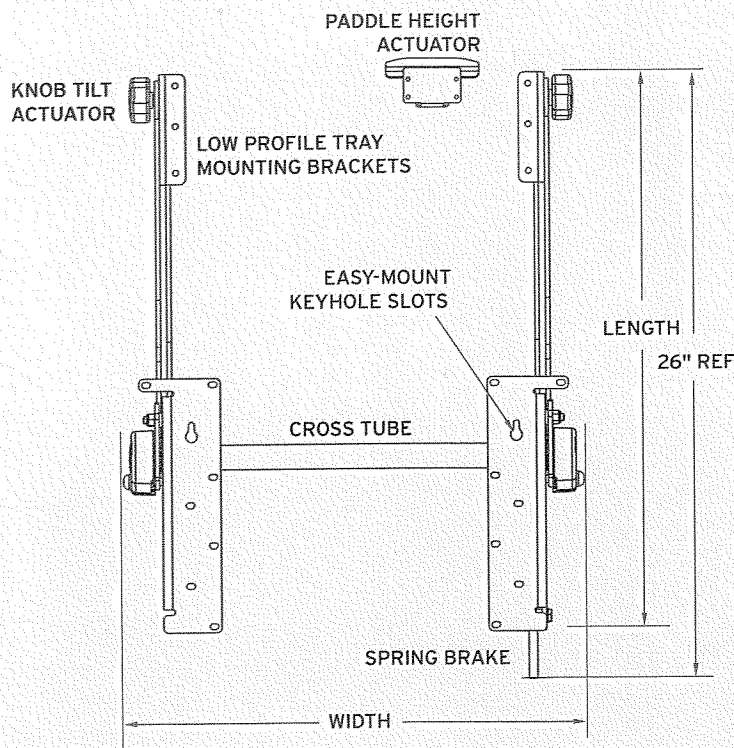
The Duet offers great functionality along with excellent stability, and is perfect for heavy typing use in customized workstations.

Features

- Stable, durable design
- Supports large widths
- Knob for tilt adjustment
- New and improved spring brake mechanism
- Slim arms (less than 0.75" each)
- Has a 19" height range adjustment
- Counterbalance is field adjustable by installers
- Easy-mount keyhole slots on mounting brackets
- Paddle or "T" pull control

Benefits

- Ideal for heavy typing use
- Can be customized for individual workstations
- Provides independent tilt adjustment of +/- 15°
- Accommodates heavier loads
- Provides better knee clearance
- Designed to alternate between sitting and standing while typing
- Optimized performance
- Easy to install and remove
- Easy access height adjustment



Duet Arm

Finish: Black wrinkle paint
Code Compliance: Exceeds ANSI/BIFMA standards

7080 series 7090 series

Model	Height Range	Tilt	Length	Width	Weight
7080D2000	+12.5" / -6.5"	-15' / +15'	24.0"	20"	20.0 lbs
7080D2300	+12.5" / -6.5"	-15' / +15'	24.0"	23"	20.2 lbs
7080D2700	+12.5" / -6.5"	-15' / +15'	24.0"	27"	20.6 lbs
7080D3100	+12.5" / -6.5"	-15' / +15'	24.0"	31"	21.0 lbs
7080D3900	+12.5" / -6.5"	-15' / +15'	24.0"	39"	22.0 lbs
7090D2000	+7.0" / -6.5"	-15' / +15'	21.4"	20"	19.6 lbs
7090D2300	+7.0" / -6.5"	-15' / +15'	21.4"	23"	19.8 lbs
7090D2700	+7.0" / -6.5"	-15' / +15'	21.4"	27"	20.0 lbs
7090D3100	+7.0" / -6.5"	-15' / +15'	21.4"	31"	20.4 lbs
7090D3900	+7.0" / -6.5"	-15' / +15'	21.4"	39"	21.4 lbs

Ancillary Products:

- For flat panel displays, specify the Concerto flat panel support system

Notes: 1. Weight = packaged shipping weight per unit. 2. Specifications are subject to change without notice.

is a single-source supplier of a complete line of highly engineered ergonomic products for the office, including adjustable keyboard support mechanisms, adjustable secondary surface supports, CPU holders, laptop supports and monitor supports. Our global sourcing team ensures we deliver the highest value products at a range of very competitive price points.

Our leadership in design and engineering is supported by our reliable and personal customer service. This is a key element to our ongoing success and is treated as a number one priority. Together, our teams have just one goal - achieving complete customer satisfaction.