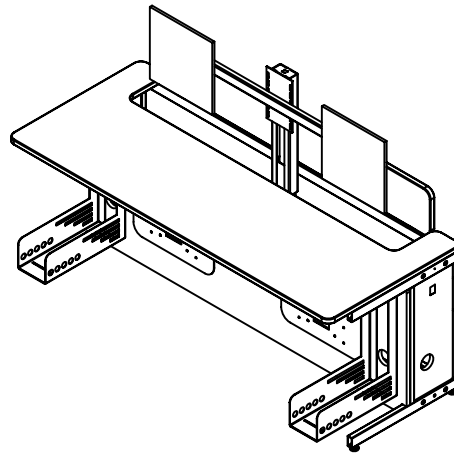


ASSEMBLY INSTRUCTIONS

LINE OF SIGHT WITH T-BAR ELECTRIC MONITOR LIFT



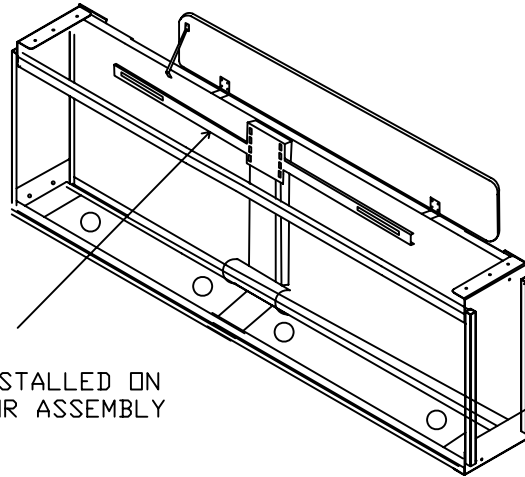
tel: 416-759-2929
fax: 416-759-9272

web: www.ise-ergonomics.com
email: info@ise-ergo.com

STEP 1

<PAGE 1>

NOTE: T-BAR, ACTUATOR MOUNT AND LID COMES PREASSEMBLED

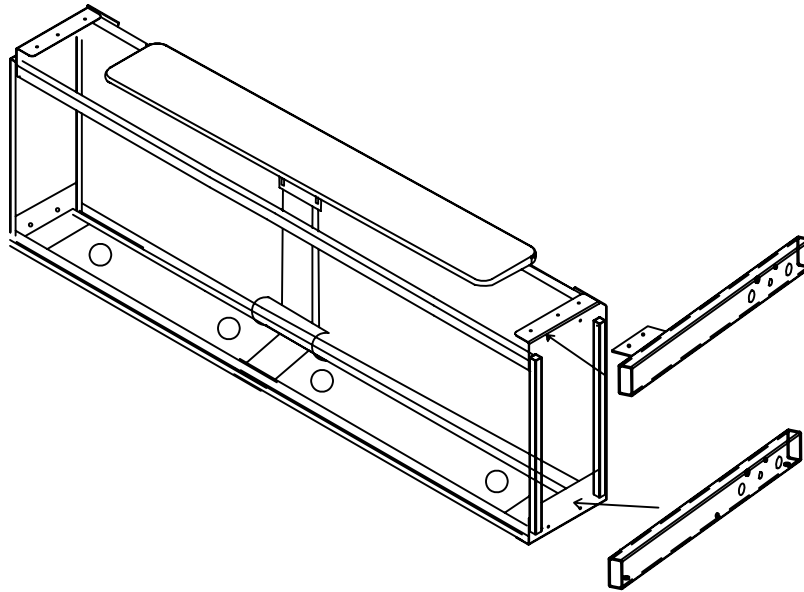


T-BAR
COMES INSTALLED ON
THE MOTOR ASSEMBLY

STEP 2

ASSEMBLY

(PAGE 2)

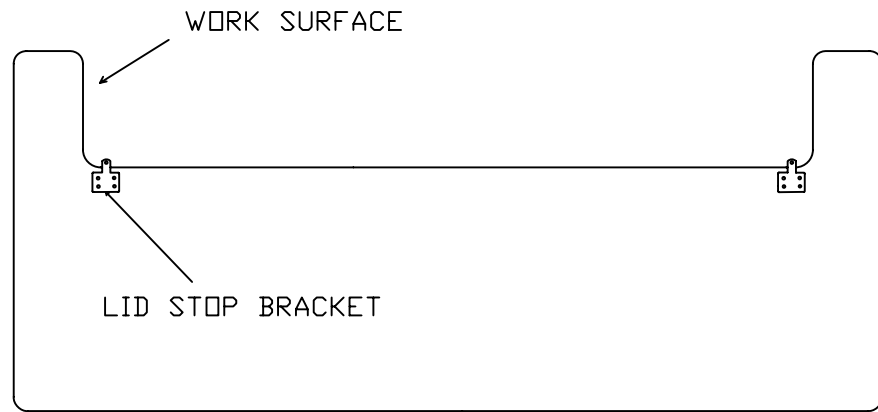


USING THE BUTTON HEAD BOLTS MOUNT THE
CANTILEVERS, LEFT AND RIGHT AND THE FEET, LEFT AND RIGHT
GLIDES AND END CAPS ARE MOUNTED ALREADY
(SEE SAMPLE UNIT)

STEP 3

ASSEMBLY

(PAGE 3)

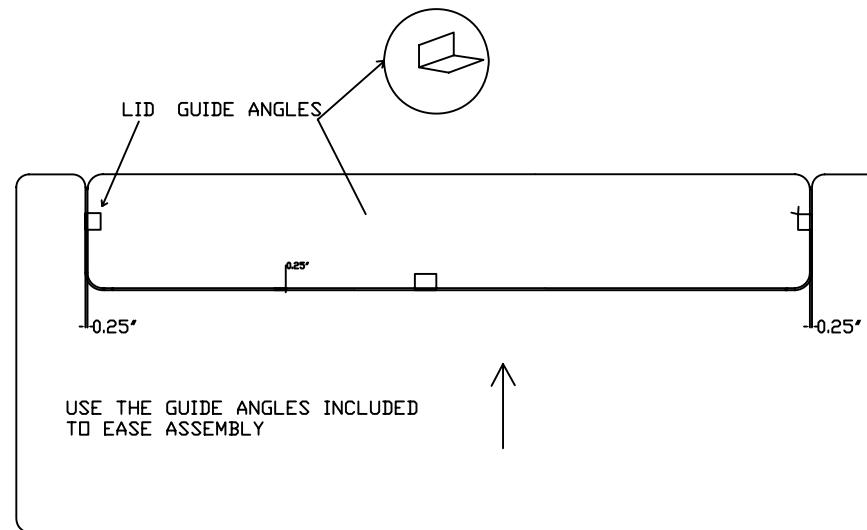


NOTE: TO EASE INSTALLATION THE LID STOP BRACKETS
ARE ALREADY PREINSTALLED

STEP 4

ASSEMBLY

(PAGE 4)

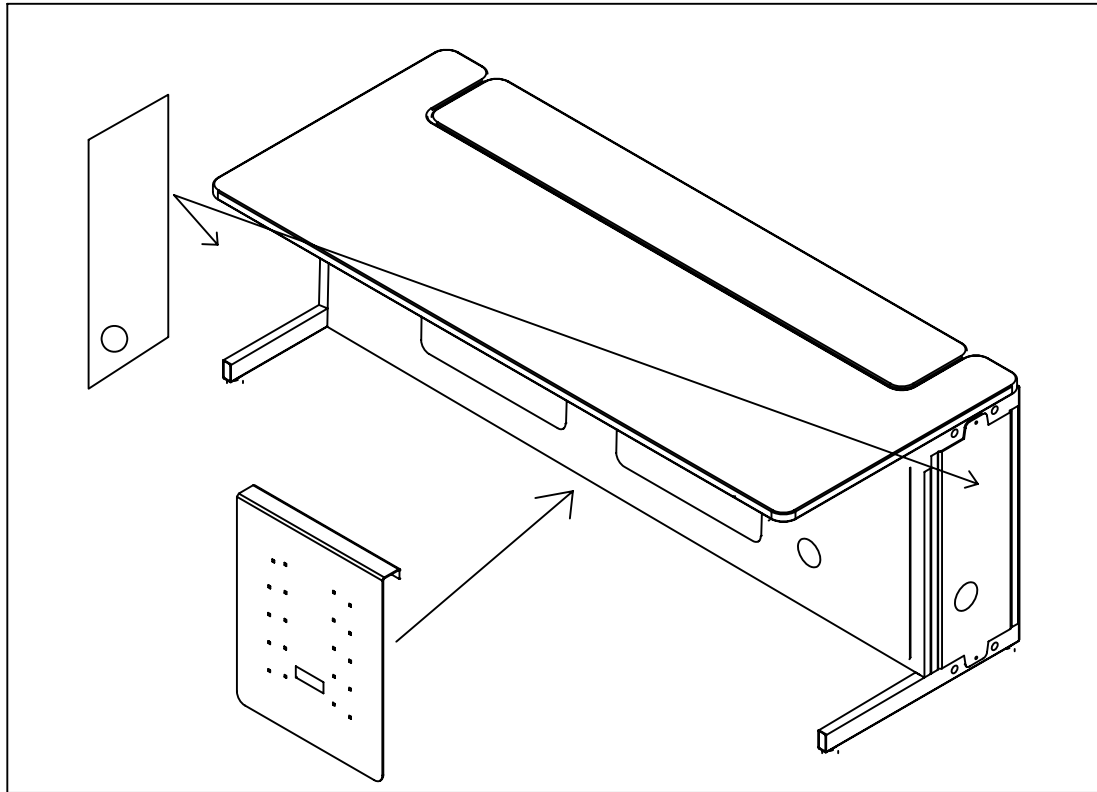


MOUNT THE TOP ON THE FRAME, MAKE SURE YOU CHECK THE SAMPLE UNIT TO SEE HOW THE LID AND WORK SURFACE IS ASSEMBLED , KEEP A 1/4" SPACING BETWEEN LID AND THE WORK SURFACE ALL AROUND. FASTEN THE WORK SURFACE ON THE FRAME USING WOOD SCREWS.

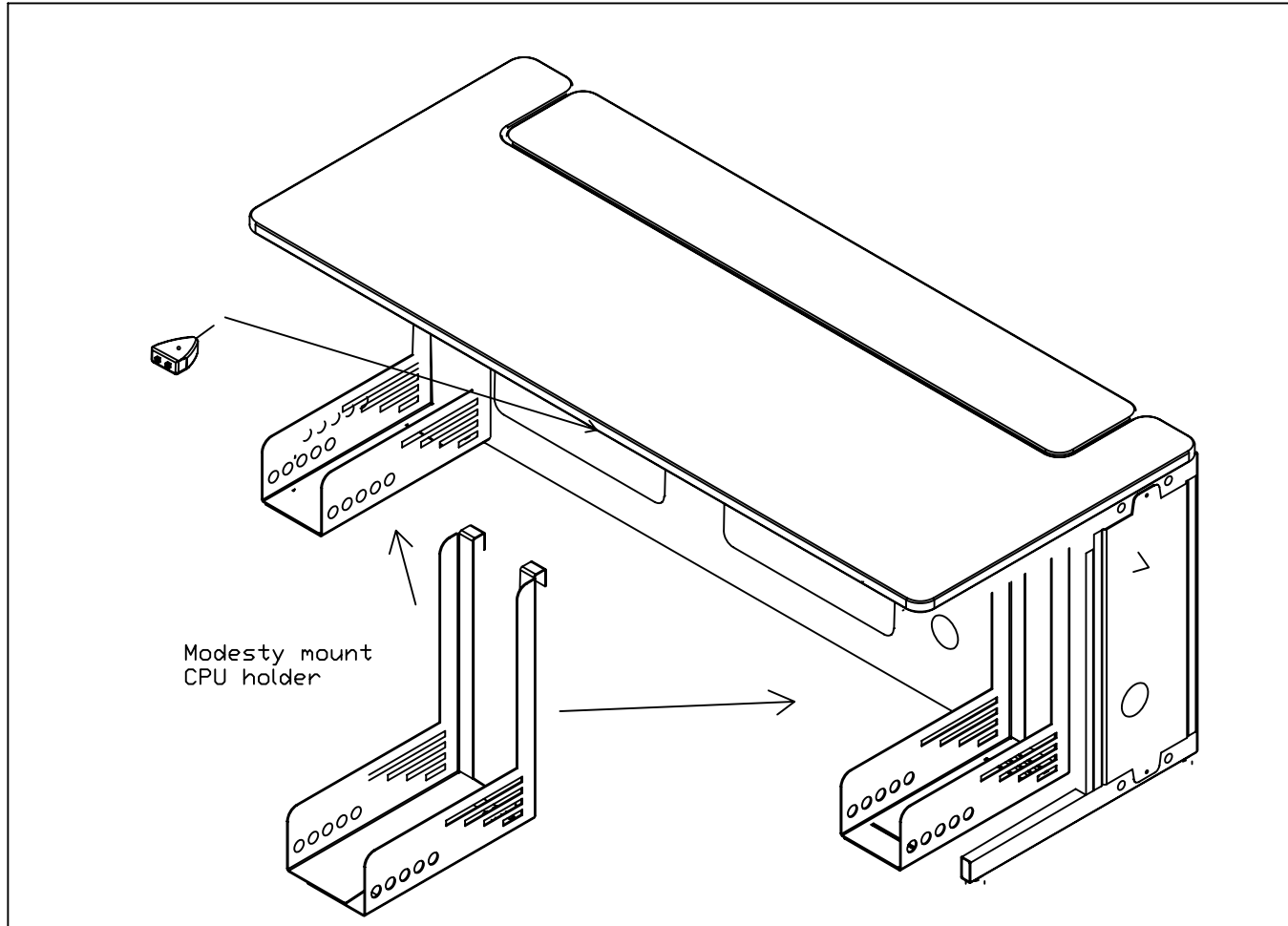
STEP 5

ASSEMBLY

(PAGE 5)



HOOK UP FRONT MODESTY COVER
MOUNT SIDE PANELS (IF APPLICABLE) WITH SELF DRILLING SCREWS



MOUNT UP/DOWN SWITCH UNDER TABLE TOP ON THE MIDDLE
AND HOOK IN THE CPU HOLDERS (SEE MOCK UP UNIT)

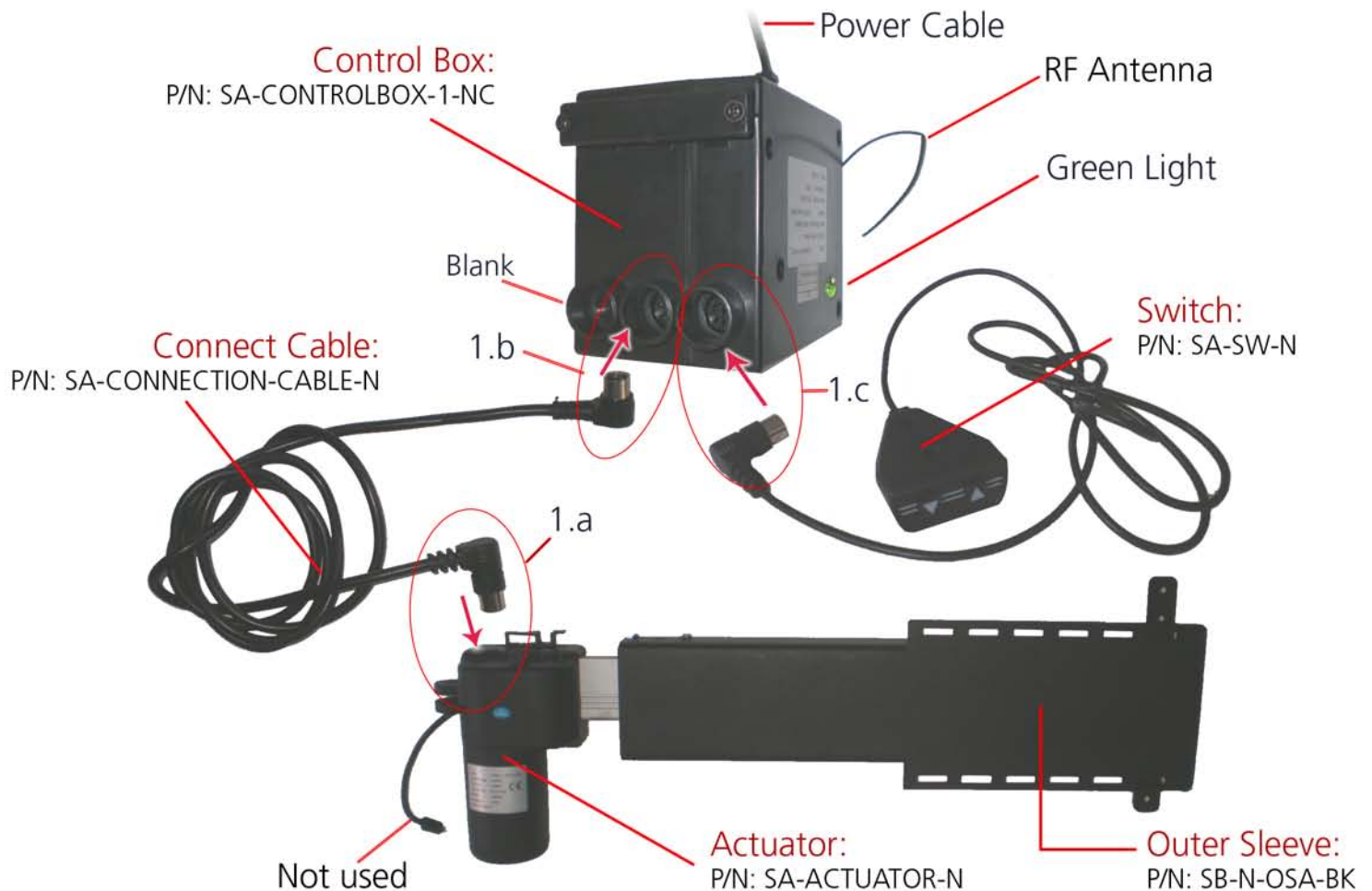


Line-of-Sight Desk Electric Actuator

Troubleshooting Manual

1. Ensure desk is positioned in its final location, power cable on the control box is plugged into a wall outlet, and all parts are firmly connected:
 - a) 5 prong pin end of the connect cable into actuator motor
 - b) 4 prong pin end of the connect cable into middle port of control box
 - c) 8 prong pin end of the switch into female port of control box
2. Check if the green light on the control box turns on. If a green light does not turn on, ensure the power cable has been inserted into an active wall outlet. If the green light still does not turn on, then the control box has malfunctioned and needs to be replaced
3. If the green light does turn on but the desk does not function, locate a desk that works
4. Remove the control box from the desk that works and replace onto the desk that does not work (see instructions on reverse). Test the desk by pressing the up and down arrows on the switch. If the desk still does not work, then the control box is not the problem
5. Remove the connect cable from the desk that works and replace onto the desk that does not work. Test the desk by pressing on the up and down arrows on the switch. If the desk still doesn't work, then the connect cable is not the problem
6. Remove the switch from the desk that works and replace onto the desk that does not work. Test the desk by pressing the up and down arrows on the switch. If the desk still does not work then contact ISE customer service to replace the desk (800-463-7731)

Parts List and Diagram





Removing the Control Box

Troubleshooting Manual

1. Identify the control box attached to the front modesty panel (located above the 3" grommet hole and mounted on a 3" x 4" plastic mounting plate). See picture 1.1
2. Press the release hook on the bottom of the mounting plate and push up the actuator until it slides off the mounting plate. See picture 1.2 and 1.3



Picture 1.1



Picture 1.2



Picture 1.3

To determine the Control Box RF frequency setting (either 1, 2, or 3), refer to the white label on the Control Box (see label below):

Number on white label	RF Frequency
001	1
002	2
003	3