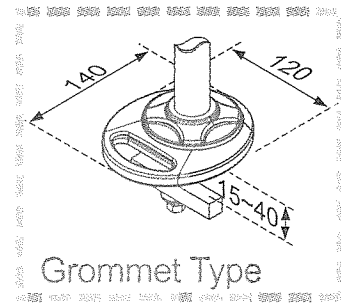
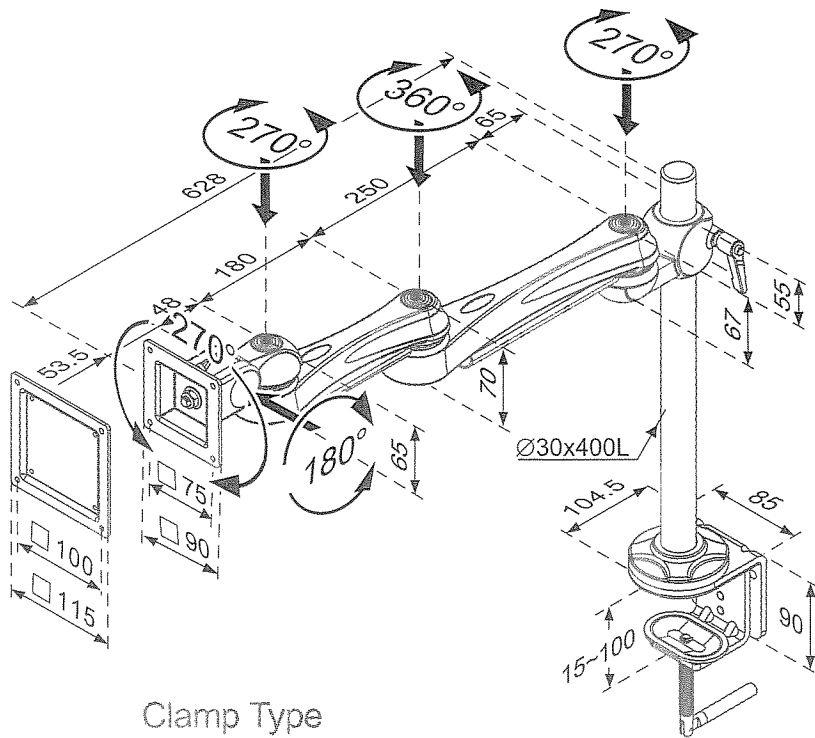


ISE INC.

MA-1-L-C/G Flat Panel Monitor Arm

Range of Movement



unit:mm

1 inch = 25.4 mm