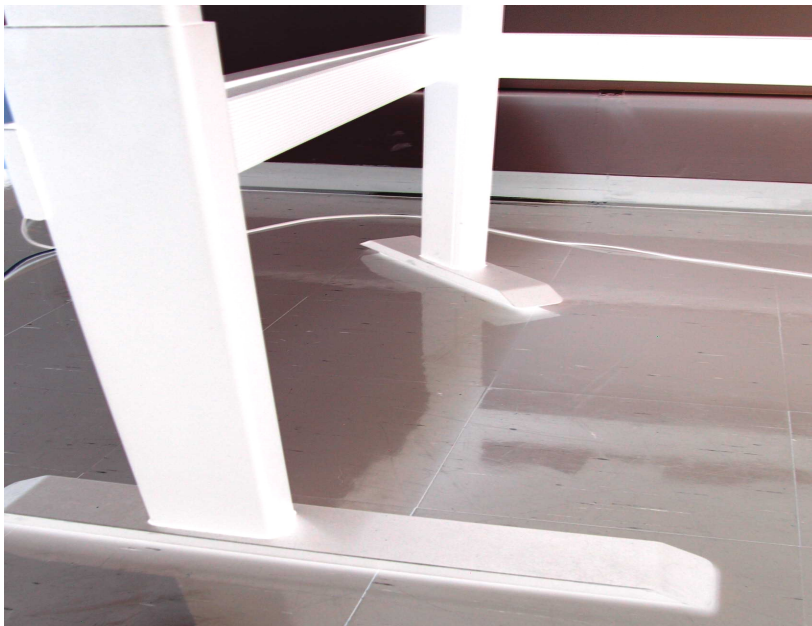


SHIFT

E5 INSTALLATION INSTRUCTIONS



Applicable bases:

- SB-E5-3-XXXX

Parts List:

1.	1X	SB-E5-LAR _____	Leg – Right
2.	2X	SB-E5-LAL _____	Leg – Left
3.	2X	SB-E5-FOOT24 _____	Feet – 24”
4.	1X	SB-E5-FOOT18 _____	Feet – 18”
5.	2X	SB-E5-CRCH-XXCN _____	Corner Cross Member Assembly (Channel / Cover)
6.	1X	SP-DL53P-CB _____	Control Box 3 Port
7.	1X	SHIFT-PART-POWERCORD _____	Control Box Power Cord
8.	3X	SHIFT-PART-MOTORCABLE _____	Actuator Cable
9.	1X	SHIFT-PART-SWITCHNOMEMORY _____	Actuator Control Switch
10.	6X		Cable Clip
11.	6X		Foot Screws (3/8-16 Hex Head)
12.	6X		Cross Member Screw (1/4-20 Button Head Screw)
13.	22X		Work Surface Screw (#10 Quad Pan Head Wood Screw)
14.	2X		Control Switch Screw (#6 Phillips Pan Head Wood Screw)
15.	6X		Cable Clip Screw (#8 Phillips Pan Head Wood Screw)

Component features:

- Strong 11GA steel construction.
- Precise electric height adjustable actuators.

Assembly time (approx.):

- 8-15 minutes.

Tool(s) required:

- 7/16” crescent wrench
- 9/16 “ crescent wrench
- #2 Phillips screw driver

Initializing Instructions:

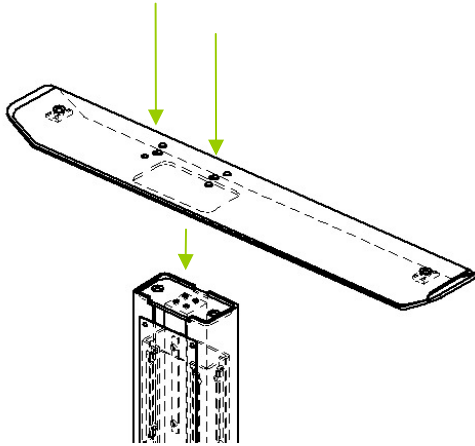
- 1- Ensure the table is positioned in its final location, the power cord is plugged in and all cables are firmly connected (switch to control box, actuator connect cables to control box and actuators and power cord to control box and wall outlet or power strip).
- 2- Press the down key once or twice and holding it until the legs into the end stop, it will then automatically run 5mm (.2in) out again. Do not release key until all movement has completely stopped.

Notes:

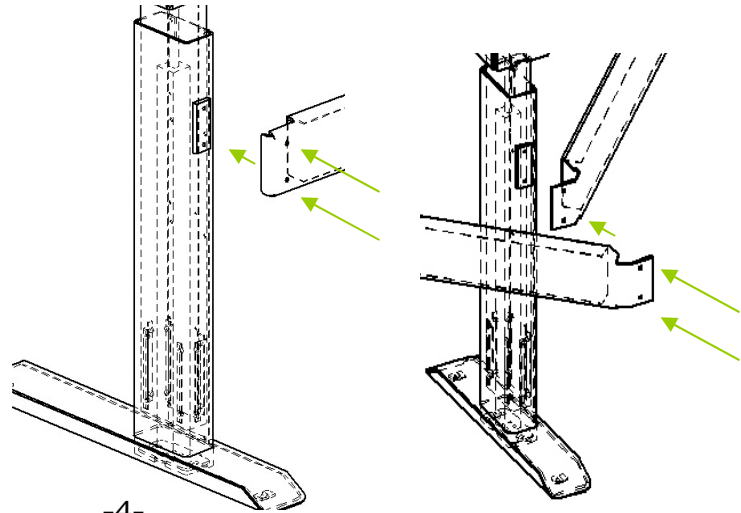
- a. If you release the down key before the sequence is completed the initialization must be repeated.
- b. If above initialization does not work press and hold both up and down keys for 20 seconds. Then repeat step 2.
- c. Unit may require re-initialization after a power interruption.

SHIFT

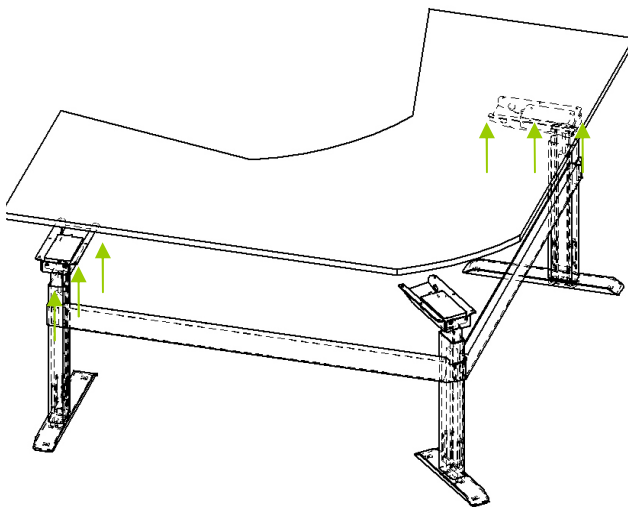
- 1-
Using 2 - 3/8" dia x 1.25" - screws fasten foot to leg.



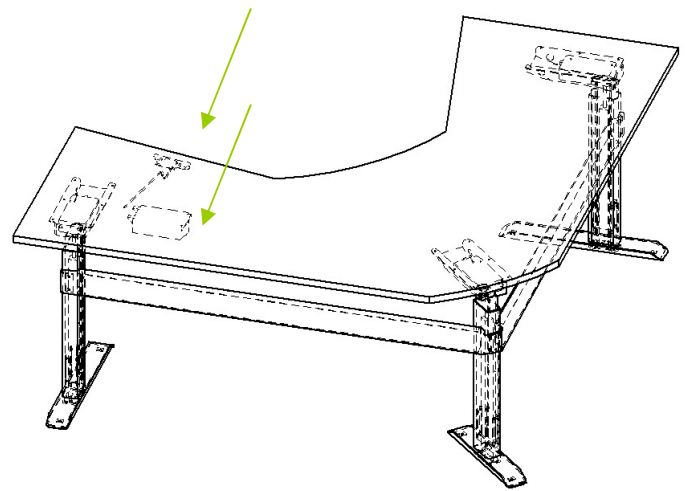
- 2-
Using 2 - 1/4" dia x .5" - screws fasten cross channel to leg.



- 3-
Using 18 - #10 dia x .75" - screws fasten worksurface to base assembly.



- 4-
Mount Control Box and Actuator Switch to underside of worksurface in desired location.



- 5-
Attach Actuator, Switch and Power cables to control box. Secure excess cables using cable clips. Plug power in and Initialize (see Initializing instructions).