

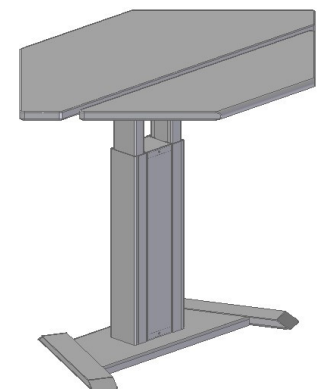
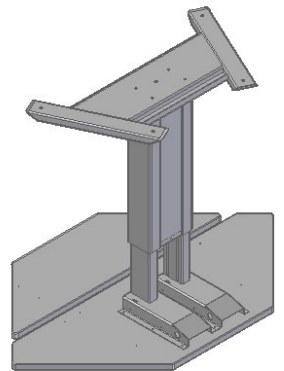
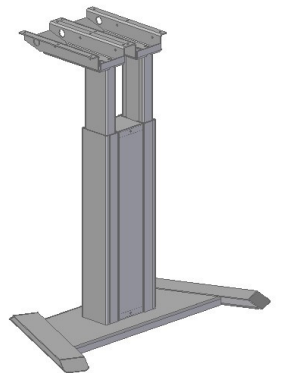
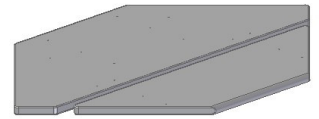
SB-E5-1-00xx – SINGLE COLUMN ELECTRIC BASE

PART LIST

1. 1X Monitor Surface
2. 1X Keyboard Surface
3. 1X Dual Arm Mechanism (boxed)
4. 1X Pedestal Base Unit
5. 1X Control Box
6. 1X Control Box Power Cord
7. 2X Actuator Cable
8. 1X Actuator Control Switch
9. 14X 1" Wood Screw
10. 2X Control Switch Screw

ASSEMBLY INSTRUCTIONS

- 1- Place Keyboard Surface and Monitor Surface upside down on well protected work surface! (carpet/foam)
- 2- Open box containing Dual Arm keyboard mechanism and assemble mechanism as per instruction sheet in box
- 3- Take Pedestal Base Unit, turn upside down and position over pilot holes in monitor surface. Fasten with 1" woodscrews in ALL holes. (screws supplied)
- 4- Position keyboard mechanism over pilot holes in monitor AND Keyboard surface. Fasten to surfaces with woodscrews supplied with mechanism (in mechanism box)
- 5- Place paddle release of keyboard in desired position on keyboard Surface (no pilot holes provided) (Screws supplied)
- 6- Position control box over pilot holes in monitor surface. Fasten with 1" Wood Screws (supplied)
- 6- Attach Actuator Connect Cables (2x) to Control Box and actuator jack.
- 7- Plug cord end of switch into Control Box port and attach switch in desired position (no pilot holes required) (Screws supplied)
- 8- Carefully lift table and stand in upright position. Locate in final position and level.
- 9- Attach Power Cord to the Control Box.



INITIALIZING INSTRUCTIONS

Make sure the table is positioned in its final location and the power cord is plugged in. Assure that all cables are firmly connected! (switch to control box, actuator connect cables to control box and actuators and power cord to control box and wall outlet or power strip)

- 1- Press the down key and hold it down until it runs into end stop, it will then automatically run approx. 5mm out again hereafter slowly run in again. **ONLY RELEASE THE DOWN KEY WHEN MOVEMENT HAS COMPLETELY STOPPED!**
If you release the key before the sequence is completed the initializing must be repeated!

NOTE: It is sometimes necessary to press the down key twice to start the initializing, this is because the system can be in different modes when initializing starts.