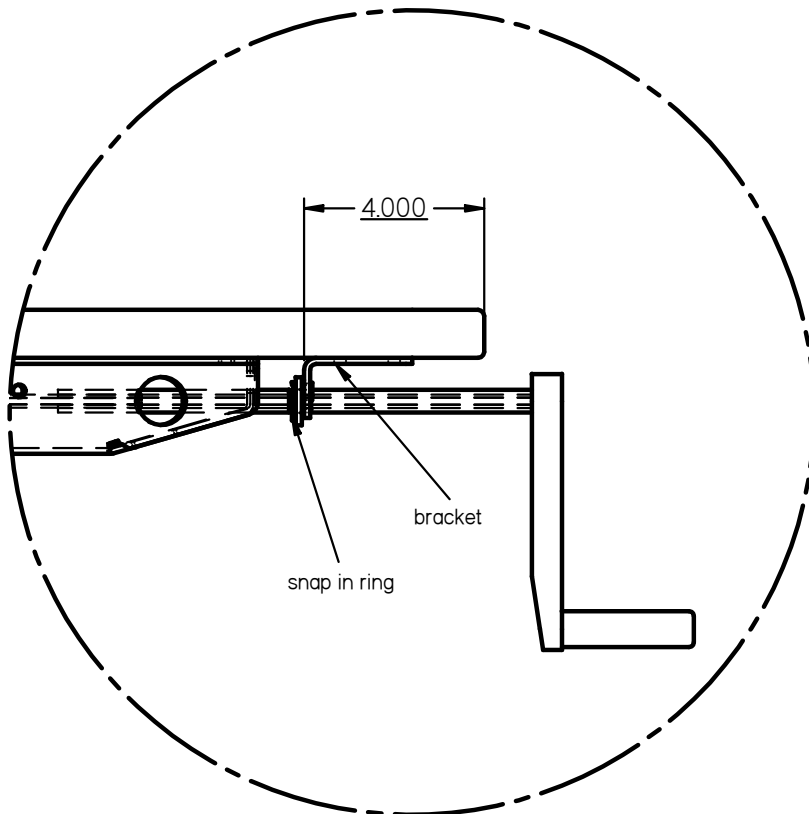


INSTRUCTIONS:

MOUNT THE WORK SURFACE USING THE PROVIDED WOOD SCREWS.

POSITION THE CRANK HANDLE ASSEMBLY (SEE DETAIL A)

SNAP IN THE RETAINING RING TO COMPLETE ASSEMBLY.



DETAIL A